

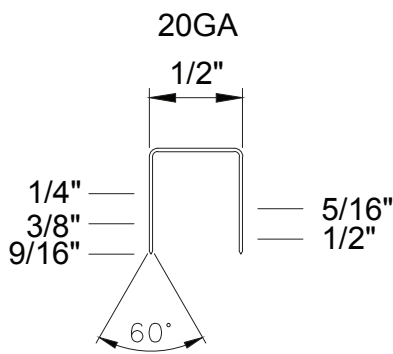
FINE-WIRE STAPLES

20 Gauge, 1/2" Crown, 50-Series Staples

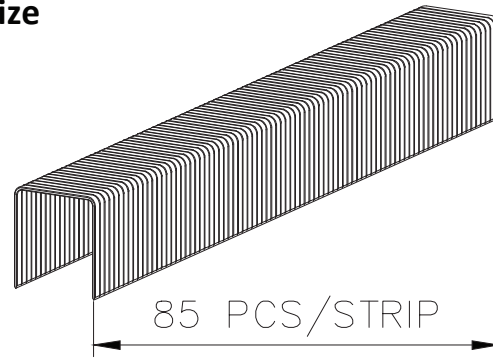
Use with the following UNICATCH tools: UD5000 Hammer Tacker

Interchangeable with: Duo-Fast

ITEM#	DESC.	LENGTH	WT/CTN (LBS)	M/BX	BXS/CTN	PLT Q'TY (BY CARTONS)	LIST PRICE	
							PER/M	PER/CTN
86503	5008	1/4"	22	5	20	80	\$0.95	\$95.00
86505	5010	5/16"	27	5	20	80	\$1.00	\$100.00
86507	5012	3/8"	33	5	20	60	\$1.10	\$110.00
86509	5016	1/2"	43	5	20	60	\$1.20	\$120.00
86511	5018	9/16"	49	5	20	50	\$1.35	\$135.00



Actual Size

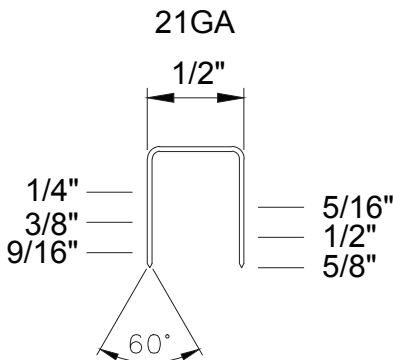


21 Gauge, 1/2" Crown, 80-Series Fine Wire Staples

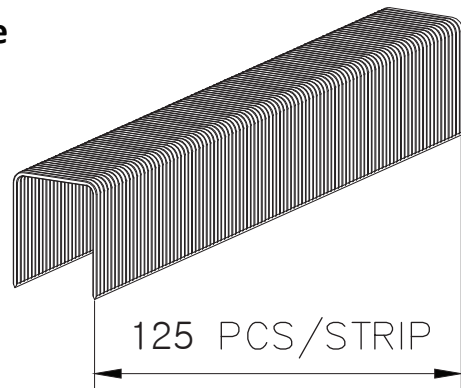
Use with the following UNICATCH tools: USAT80/16 Series & USATA80/16 Auto Series

Interchangeable with: Senco, Porter-Cable, Fasco, Astro & BeA

ITEM#	DESC.	LENGTH	WT/CTN (LBS)	M/BX	BXS/CTN	PLT Q'TY (BY CARTONS)	LIST PRICE	
							PER/M	PER/CTN
87752	8006	1/4"	44	10	20	63	\$0.64	\$127.20
87755	8008	5/16"	30	10	10	80	\$0.72	\$72.00
87757	8010	3/8"	33	10	10	80	\$0.79	\$79.20
87767	8012	1/2"	38	10	10	49	\$0.90	\$90.00
87770	8014	9/16"	42	10	10	49	\$1.03	\$103.20
87777	8016	5/8"	44	10	10	49	\$1.14	\$114.00



Actual Size



****Stainless steel available on special order. Please call for quote and availability****